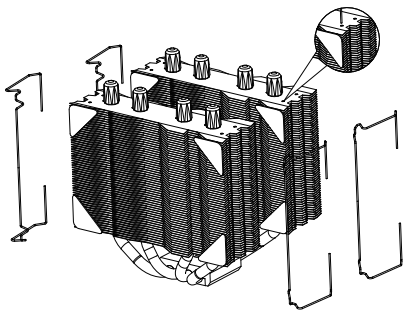


# Installation Instructions:

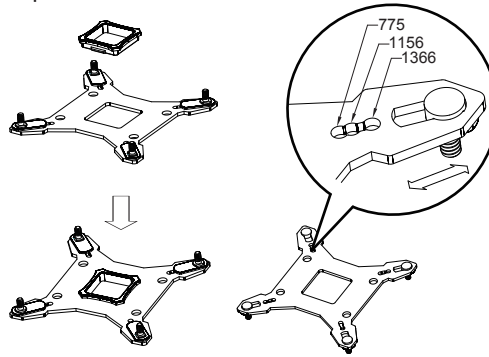
## Step 1:



### Step 1 : Part Installation

Apply Anti-Vibration Padding to 4 corners on the heatsink, and pull both ends of the Fan clips and make it go through holes on the corners of the heatsink shown in picture.

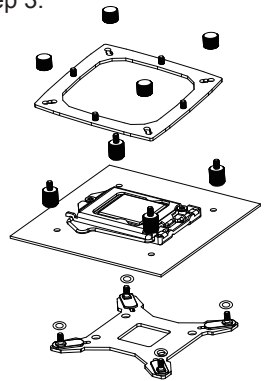
## Step 2:



### Step 2 : 775 backplate cap and adjustment for the screw pillars on the backplate.

(1).When Installing on the 775 platform, please first insert the backplate cap into the opening on the backplate,make sure you have the cap facing downwards ( only for 775)  
(2). Adjust the screw pillars to the platform which you are in use.

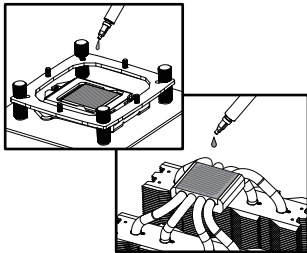
## Step 3:



### Step 3 : Installion the Anchoring mount

Place the multiple support Backplate under the motherboard, and then tighten itwith the 4 screw pillars provided, place the anchoring mount onto the 4 screw pillars thensecure it by titning it with 4 thumbscrews.

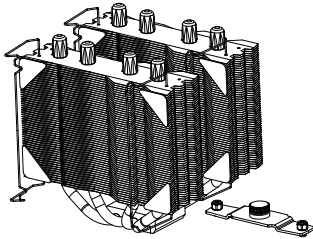
## Step 4:



### Step 4 : Applying Thermal Paste

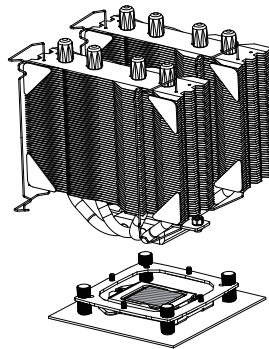
Apply the Thermal Paste to the base of the heatsink and the surface of the cpu evenly.

## Step 5:



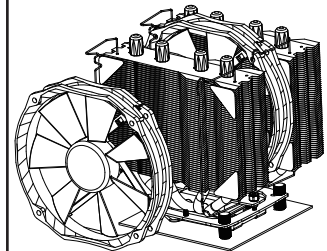
### Step 5 : Make the Mounting plate to go through the heatsink.

## Step 6:



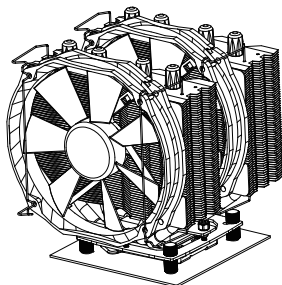
### Step 6 : Place the heatsink on top of the cpu, and then tighten the hexagonal screws on both ends of the mouting plate.

## Step 7:

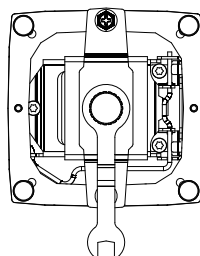
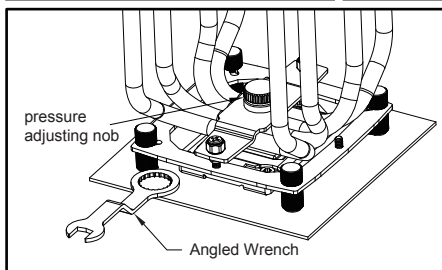


### Step 7 : Place the 14x16cm fan onto the heatsink, and then secure it with the 14cm fan clips, plug in power.

## Step 8:



### Step 8 : Installation completed.



Pressure Vault adjustment :  
40~70 lbs. Max pressure of 70 lbs  
when turned fully clockwise.

Max. + 70 lbs  
- Min. 40 lbs